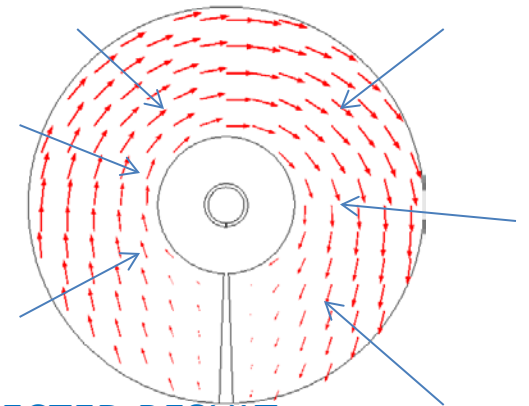


→ COMSOL RESULT



→ EXPECTED RESULT