



OLD DOMINION
UNIVERSITY
I D E A F U S I O N



Computational Fluid Dynamics Study of the Effects of Secondary Flows in 90-degree Pipe Elbow Erosion

O. Ayala, G. Rivera-Hernández, C. Knight

COMSOL
CONFERENCE
2020 NORTH AMERICA

October 7-8, 2020
CFD Session

Introduction

Bends can be found in many industrial pipe layouts

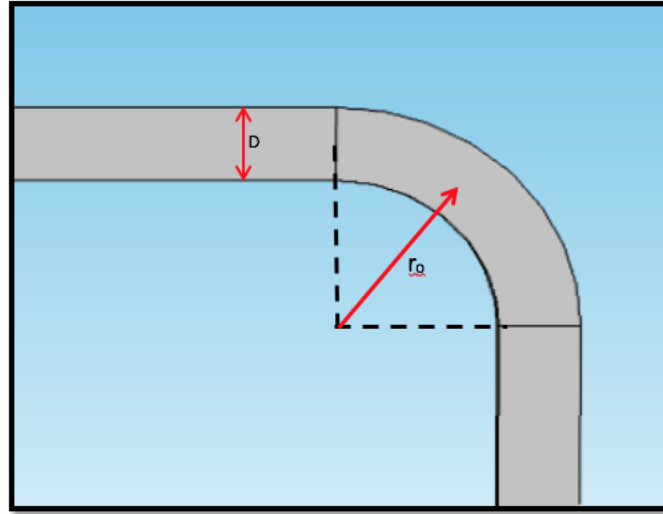
- Presence of secondary flows
- If particles → erosion might be found



- Current state of the knowledge is still far from having a full picture of the erosion phenomena
- Still using old erosion models based on material properties (or simple modifications of them)
(Finnie, 1958; Bitter, 1963; Tilly, 1973, Nesic, 1991; Chase *et al.*, 1992; Jordan, 1998; Shirazi, 2000))
- It has been recognized that fluid-particle interactions play an important role
(Humphrey J.A.C, 1990 and 1993)

Physical Model

- Radius of Curvature (RC)
1.0, 1.5, and 2.5
- Reynolds Number
1,000 and 10,000



- Stokes Number $S_t = \frac{\tau_p V}{L} = \frac{\tau_p}{T_k}$

0.01, 0.1, 0.5, 1.0, 5.0, and 10.0

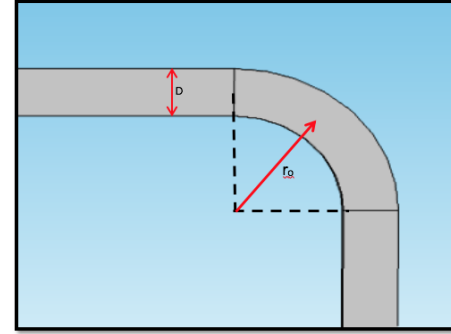
$$\tau_p = \frac{\rho_p d_p^2}{18\mu_f}$$

Mathematical and Numerical Model



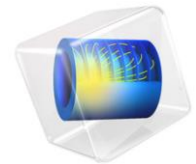
$$\rho \frac{\partial \mathbf{v}}{\partial t} + \rho \mathbf{v} \cdot \nabla \mathbf{v} = \mu \nabla^2 \mathbf{v} - \nabla P$$
$$\nabla \cdot \mathbf{v} = 0$$

k - ϵ model



- INLET Velocity profile
- OUTLET Constant pressure
- WALL Non-slip or Wall functions
- STRAIGHT PIPES Long enough (sensitivity)

 COMSOL



MESH SENSITIVITY

(normal mesh \rightarrow 5% diff, $y^+ \sim 12$)

VALIDATION

(Niazmand and Jaghargh, 2010)

Mathematical and Numerical Model

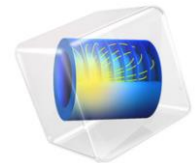


$$\frac{d\mathbf{q}}{dt} = \mathbf{v}$$
$$\frac{d}{dt}(m_p \mathbf{v}) = \sum \mathbf{F}$$



- Schiller-Naumann Drag model
- One-way coupling
- Wall set to freeze (required condition to compute erosion)
- Particles introduced through 50% concentric reduce area
- Finnie's model for erosion
- **The “fluid flow velocity components” felt by particles in elbow was modified**

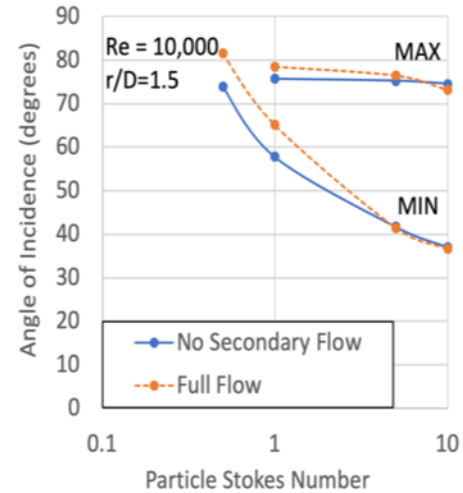
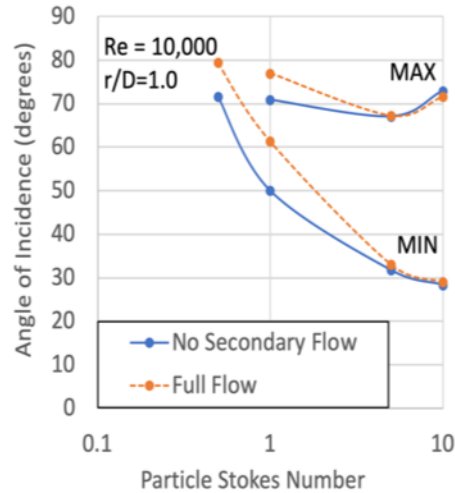
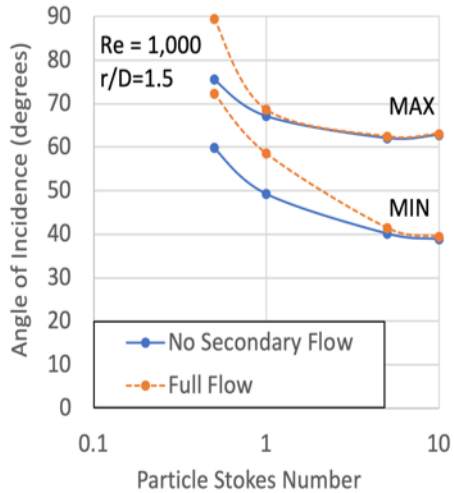
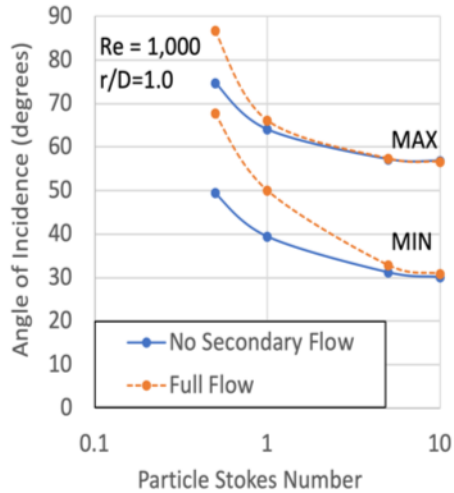
 COMSOL



Results



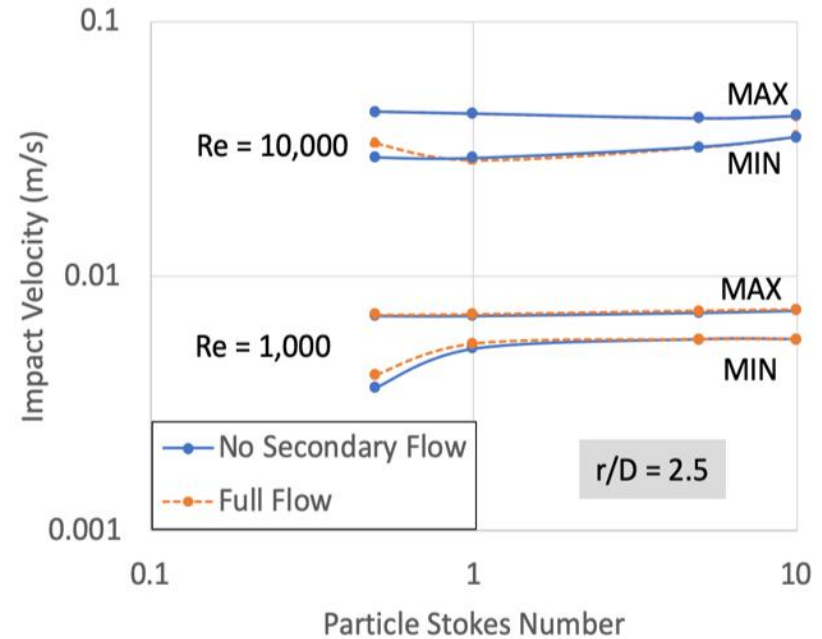
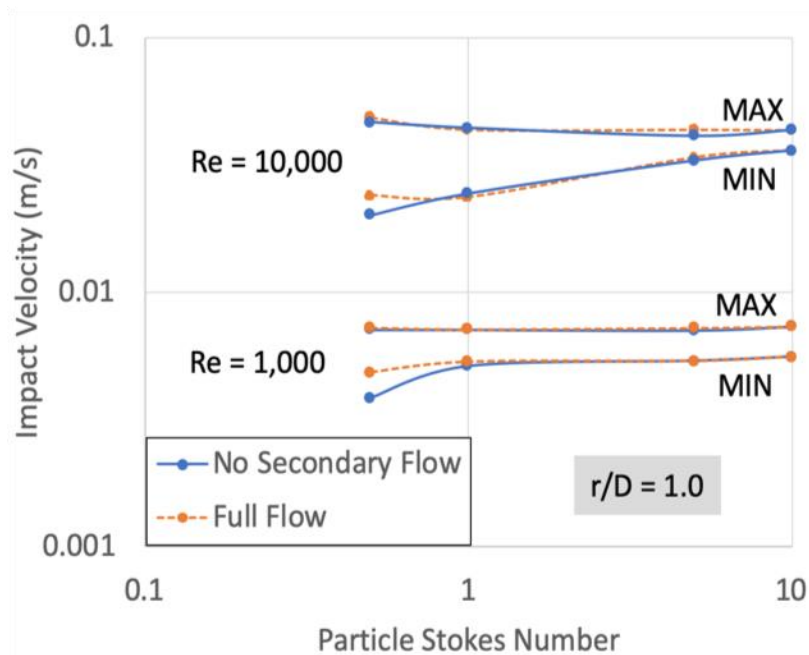
① Angle of Incidence for the “No Secondary Flow” and the “Full Flow” Cases



The Case for r/D=2.5 Shows Similar Behaviors

Results

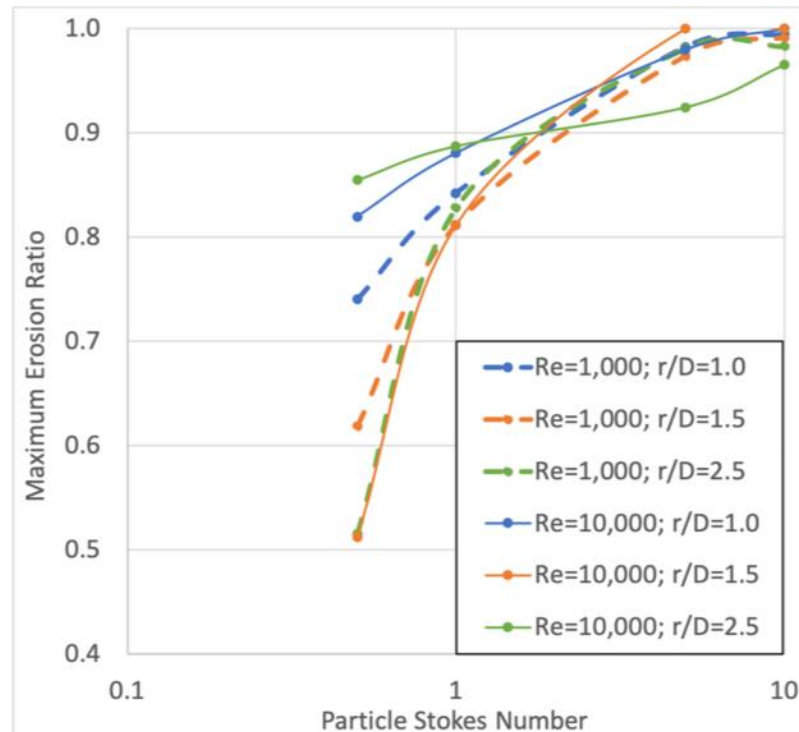
② Impact Velocity for the “No Secondary Flow” and the “Full Flow” Cases



The Case for $r/D=1.5$ Shows Similar Behaviors

Results

③ Ratio of the “No Secondary Flow” Case Maximum Erosion to the “Full Flow” Case Maximum Erosion



Conclusions



- Secondary flows do not affect much the erosion when the particle Stokes number is high (close to 10).
- A significant 20% to 50% reduction on the erosion is observed when Stokes number is less than one. Angle of incidence effect.
- The magnitude of the erosion reduction depends on the Reynolds number and radius of curvature.
- This study serves as a preliminary insight to the effects of curvature ratio, Stokes number, and Reynolds number in relation to the significance of secondary fluid flow on erosion in a 90-degree pipe elbow.